

## Features

- 2-way normally closed operation
- For control of commercial and industrial oil burners
- Brass body construction
- Mountable in any position
- Direct lift with resilient soft sealing for tight shutoff

## Fluid

- No. 2 Fuel Oil at 60 SSU
- No. 4 Fuel Oil at 300 SSU

## Construction

Valve Parts in Contact with Fluids	
Body	Brass
Core Tube/ Bonnet	Stainless Steel / Plated Steel
Core and Plugnut	Stainless Steel
Springs	Stainless Steel
Seals and Disc	NBR / FKM
Shading Coil	Copper

## Electrical

Prefix	Standard Coil and Class of Insulation	Watt Rating and Power Consumption				Ambient Temp. °F	Spare Coil Family	
		DC Watts	AC		AC		DC	
			Watts	VA Holding				VA Inrush
U	F	6.9	6.3	8.8	12.1	-22 to 140	400117	400117
SC	F	6.9	6.3	8.8	12.1	-22 to 140	400127	400127

**Standard voltages:** 24, 120, 240 volts AC, 50-60 Hz. 12, 24, 120 volts DC  
 Must be specified when ordering.

## Solenoid Enclosures

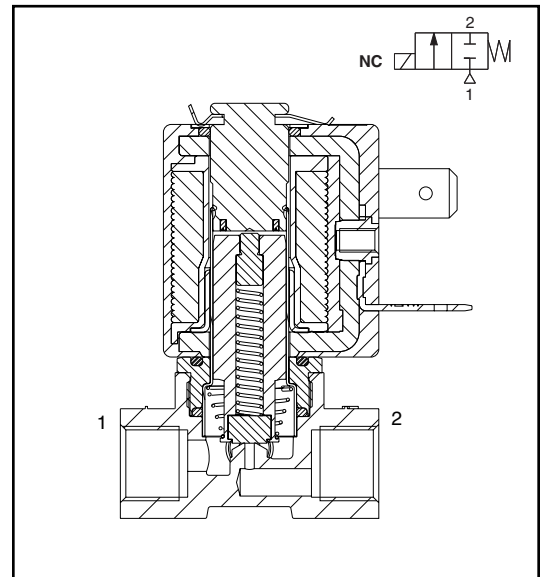
- Standard:** Open frame (Prefix U) 18" leads
- Optional:** DIN (size 11mm, form B) (Prefix SC). Watertight/IP-65 when used with DIN connector kit for SC coils (see kits below).

## Valve Response Time

- Opening Time:** Less than 1 second
- Closing Time:** Less than 1 second

## Kits

- 1/2" NPT conduit hub kit for leaded coils 224735-001-\*  
 (Kit contains 10 pcs. of each: threaded hub, gasket and attaching screw.)
- DIN connector kit for SC coils 226061-001-\*  
 (Kit contains 10 pcs of each: connector, gasket, and attaching screw.)



## Approvals

UL recognized component to standard 429 "Electrically Operated Valves," Guide Y10Z2, File MP618 Safety Shutoff Valves.

GSA Certified to:

- 1) Standard C22.2 No. 139 "Electrically Operated Valves," File 235078.

**Specifications (English units)**

Pipe Size (in)	Orifice Size (in)	Cv Flow Factor	Operating Pressure Differential (psi)				Min. Fluid Temp. °F	Max. Fluid Temp. °F		Brass	Wattage		Approx. Shipping Weight (lbs.)	
			Max. AC		Max. DC			AC	DC		AC	DC		
			#2 Fuel Oil at 60 SSU	#4 Fuel Oil at 300 SSU	#2 Fuel Oil at 60 SSU	#4 Fuel Oil at 300 SSU								
<b>General Service - Normally Closed</b>														
1/8	3/64	0.06	0	500	500	330	330	5	180	180	U8256A089V	6.3	6.9	0.5
1/8	1/16	0.09	0	430	430	250	250	5	180	180	U8256A090V	6.3	6.9	0.5

**Specifications (Metric units)**

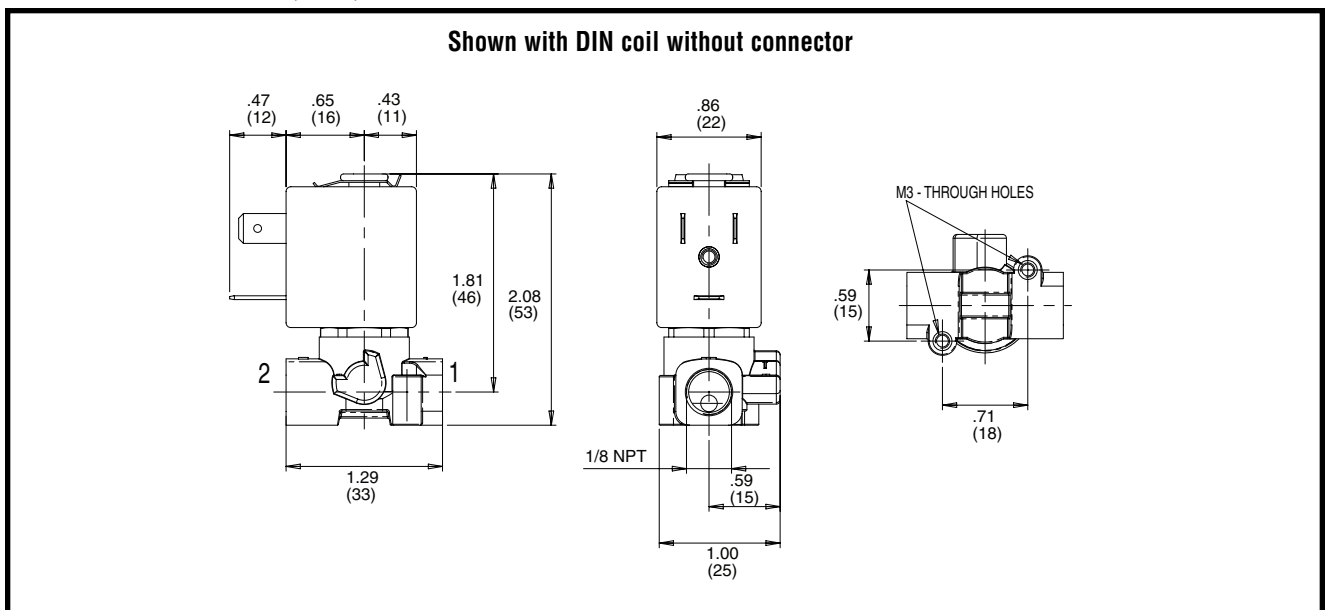
Pipe Size (in)	Orifice Size (mm)	Kv Flow Factor (m³/hr)	Operating Pressure Differential (bar)				Min. Fluid Temp. °C	Max. Fluid Temp. °C		Brass	Wattage		Approx. Shipping Weight (kgs.)	
			Max. AC		Max. DC			AC	DC		AC	DC		
			#2 Fuel Oil at 60 SSU	#4 Fuel Oil at 300 SSU	#2 Fuel Oil at 60 SSU	#4 Fuel Oil at 300 SSU								
<b>General Service - Normally Closed</b>														
1/8	1.2	0.05	0	34	34	22	22	-15	82	82	U8256A089V	6.3	6.9	0.22
1/8	1.6	0.08	0	29	29	17	17	-15	82	82	U8256A090V	6.3	6.9	0.22

**Capabilities Chart**

Solenoid Options ①							Base Catalog Number	Resilient Materials							Other	Standard Rebuild Kit				
NEMA Type 3-9	High Temp. DIN	Wiring Box Screw Terminal	Multipin	DIN	Spade	Open Frame with Leads	Brass	NBR	FKM	EPDM	RUBY	Oxygen Service	PTFE	Urethane	Vacuum	Manual Operator	Mounting Bracket	Brass AC/DC		
-	-	-	-	SC	-	●		U8256A089V	-	●	-	-	-	-	-	-	-		-	-
-	-	-	-	SC	-	●		U8256A090V	-	●	-	-	-	-	-	-	-		-	-

● = Standard. ① Replace U prefix with SC prefix.

**Dimensions: inches (mm)**



**COMBUSTION**



## Butler & Land Technologies

Butler & Land, Inc. is a manufacturer representative and distributor with extensive experience in the distribution and application of electrical equipment, instrumentation, controls and sensors to industrial and utility providers for over 70 years. Some of the industries we provide service to include, but are not limited to; food/beverage, water utilities, refineries, petrochemical plants, OEM's and electrical utilities.

[www.butlerandland.com](http://www.butlerandland.com)

### Dallas, Texas

214-343-8800

10823 Sanden Dr, Dallas, TX 75238

### Houston, Texas

713-896-0808

10900 Brittmoore Park Dr J, Houston, TX 77041

### New Orleans, Louisiana

504-734-8888

1508 Edwards Ave. Suite GG, Harahan, LA 70123