

### Features

- Compact spool valve convertible from 3/2 to 5/2
- NAMUR mount construction
- Standard manual operator
- DIN, Watertight and Explosionproof solenoids available
- Single and dual solenoid constructions
- Mountable in any position
- Vents air from spring side of actuator to prevent corrosion of actuator

### Construction

Valve Parts in Contact with Fluids	
Body	Black Anodized Aluminum
Spring	Phosphate treated black steel
Shading Coil	Copper
Seals	NBR + PUR
Core and Core Tube	Stainless Steel / Brass
End Covers and Plate	6/6 glass filled PA/FV
Spool	Aluminum
Internal Parts	Zamak, Steel, CA

### Electrical

Standard Coil and Class of Insulation	Enclosure Type	Watt Rating and Power Consumption				Spare Coil Part Number	
		DC Watts	AC Watts	VA Holding	VA Inrush	AC	DC
F	SC	3	2.5	3.5	6	400127	400127
F	SC	6.9	5	7	15	400727	400727
F	EF	6.9	6.3	7	10.1	266762	270007
F	WT	6.9	6.3	7	10.1	266763	270008

**Standard Voltages:** SC: 24, 120, 240 Volts AC, 50-60 Hz; 12, 24, 120 Volts DC.  
 WT and EF: 24/50-60HZ, (120/60, 110-120/50)①, (240/60, 220-240/50)② Volts AC;  
 6, 12, 24, 120 Volts DC.  
 ① Order as 120/60, 110/50  
 ② Order as 240/60, 220/50

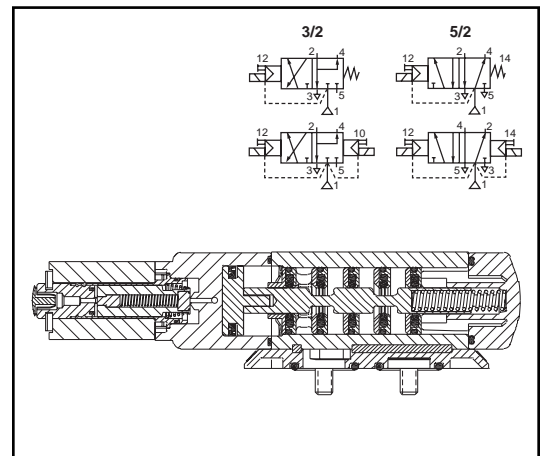
### Solenoid Enclosures

**Standard:** - Prefix

**SC** = IP65 type DIN (open frame) per 46244

**WT** = Combination General Purpose and Watertight Types 1, 2, 3, 3S, 4, and 4X

**EF** = Combination Explosionproof and Watertight Types 3, 3S, 4, 4X, 6, 5P, 7, 9 Class I, Div. 1 (Groups A - D) and Class II, Div. 1 Type 9 (Groups E-G)



VALVE AUTOMATION

### Nominal Ambient Temp. Ranges

**SC:** AC/DC: 5°F to +140°F (-15°C to 60°C)

**EF:** AC: 5°F to +104°F (-15°C to 40°C)

DC: 5°F to +77°F (-15°C to 25°C)

**WT:** AC: 5°F to +140°F (-15°C to 60°C)

DC: 5°F to +77°F (-15°C to 25°C)

**Note:** For temperatures below 32°F (0°C) moisture-free air must be used.

Refer to Engineering Section for details.

### Approvals

**SC** (2.5W and 3W only) UL recognized component, CSA certified. (Series 8551 only)

**WT:** UL listed, CSA certified. (Series 8551 only)

**EF:** UL and CSA listed solenoid.

Meets applicable CE directives.

SIL 3 capable per IEC 61508 on normally closed single solenoid. Third party certification provided by EXIDA.

Refer to Engineering Section for details.

### Specifications (English units)

Pipe Size (in)	Orifice Size (in)	Cv Flow Factor	Operating Pressure Differential (psi)		Fluid Temperature °F (for single and dual solenoid)			Single Solenoid PFD <sub>AVG</sub> = 3.3 x 10 <sup>-3</sup>	Dual Solenoid	Const. Ref.	Watt Rating/ Class of Coil Insulation	
			Min.	Max.	Min.	Max. AC	Max. DC				Catalog Number	Catalog Number
<b>OPEN FRAME DIN COIL</b>												
1/4 ①	1/4	.86	30	150	5	140	140	SC8551A001MS	SC8551A002MS	1	2.5	3
1/2	1/2	3.7	30	150	-15	140	140	SC8553A001MS	SC8553A002MS	2	5	6.9
<b>WATERTIGHT ENCLOSURE</b>												
1/4 ①	1/4	.86	30	150	5	140	77	WT8551A001MS	WT8551A002MS	1	6.3	6.9
1/2	1/2	3.7	30	150	-15	140	77	WT8553A001MS	WT8553A002MS	2	6.3	6.9
<b>EXPLOSIONPROOF ENCLOSURE</b>												
1/4 ①	1/4	.86	30	150	5	104	77	EF8551A001MS	EF8551A002MS	1	6.3	6.9
1/2	1/2	3.7	30	150	-15	104	77	EF8553A001MS	EF8553A002MS	2	6.3	6.9

① 1/8 inch NPT exhausts.

### Specifications (Metric units)

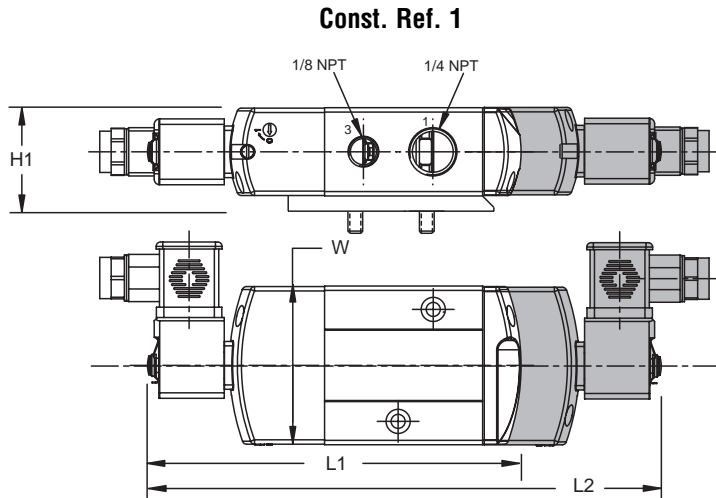
Pipe Size (in)	Orifice Size (mm)	Kv Flow Factor (m <sup>3</sup> /h)	Operating Pressure Differential (bar)		Fluid Temperature °C (for single and dual solenoid)			Single Solenoid PFD <sub>AVG</sub> = 3.3 x 10 <sup>-3</sup>	Dual Solenoid	Const. Ref.	Watt Rating/ Class of Coil Insulation	
			Min.	Max.	Min.	Max. AC	Max. DC				Catalog Number	Catalog Number
<b>OPEN FRAME DIN COIL</b>												
1/4 ①	6.4	.7	2	10	-15	60	60	SC8551A001MS	SC8551A002MS	1	2.5	3
1/2	13	3.15	2	10	-25	60	60	SC8553A001MS	SC8553A002MS	2	5	6.9
<b>WATERTIGHT ENCLOSURE</b>												
1/4 ①	6.4	.7	2	10	-15	60	25	WT8551A001MS	WT8551A002MS	1	6.3	6.9
1/2	13	3.15	2	10	-25	60	25	WT8553A001MS	WT8553A002MS	2	6.3	6.9
<b>EXPLOSIONPROOF ENCLOSURE</b>												
1/4 ①	6.4	.7	2	10	-15	40	25	EF8551A001MS	EF8551A002MS	1	6.3	6.9
1/2	13	3.15	2	10	-25	40	25	EF8553A001MS	EF8553A002MS	2	6.3	6.9

① 1/8 inch NPT exhausts.

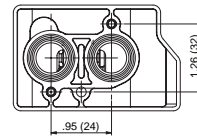
## Dimensions inches (mm)

Series	8551
NPT	1/4
L1	5.47 (139)
L2	7.56 (192)
H1	1.30 (33)
W	1.77 (45)

**NOTE: Valve shown with CM22  
DIN terminal coil and connector.  
Connector sold separately.**

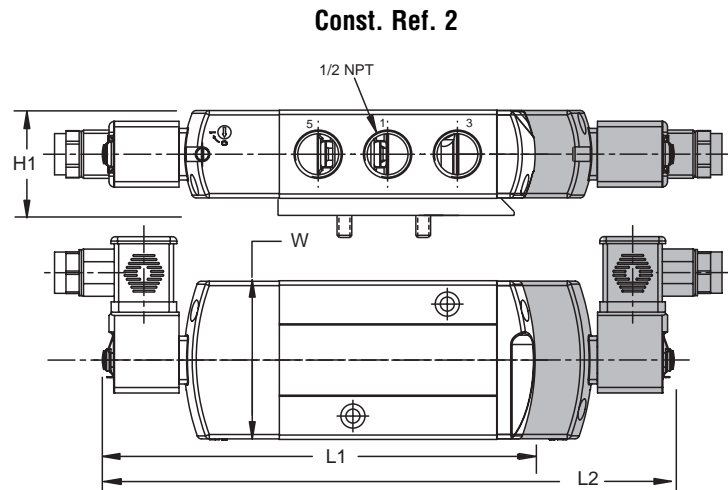


**8551 NAMUR Footprint**

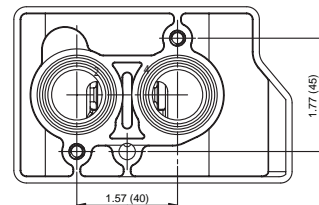


Series	8553
NPT	1/2
L1	7.76 (197)
L2	10.25 (260)
H1	1.94 (49)
W	2.85 (72)

**NOTE: Valve shown with CM22  
DIN terminal coil and connector.  
Connector sold separately.**



**8553 NAMUR Footprint**





## Butler & Land Technologies

Butler & Land, Technologies is a manufacturer representative and distributor with extensive experience in the distribution and application of electrical equipment, instrumentation, controls and sensors to industrial and utility providers for over 70 years. Some of the industries we provide service to include, but are not limited to; food/beverage, water utilities, refineries, petrochemical plants, OEM's and electrical utilities.

[www.butlerandland.com](http://www.butlerandland.com)

### Dallas, Texas

214-343-8800

10823 Sanden Dr, Dallas, TX 75238

### Houston, Texas

713-896-0808

10900 Brittmoore Park Dr J, Houston, TX 77041