

Features

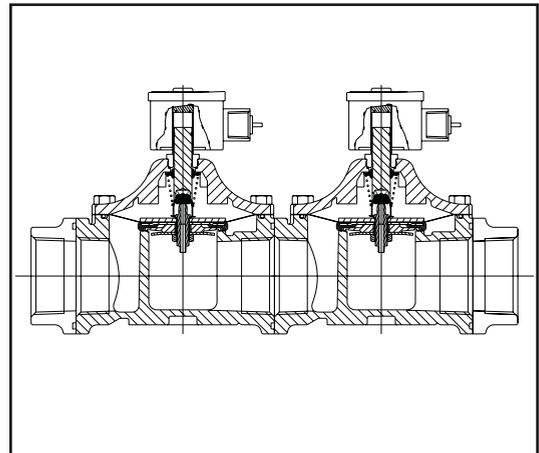
- Double solenoid gas train for an exceptionally small footprint
- Optional NPT threaded flange adapters allow direct piping that simplifies the installation and maintenance.
- Suitable for boilers, furnaces, ovens, kilns, heating equipment, and gas generators used in commercial and industrial applications.
- Low pressure drop and extremely high flow capacity, ideal in low gas supply pressure applications/locations.

Please reference 8214 Series 200 catalog pages for additional features.



Adapter & Joining Hardware Kits (Optional)

Const. Ref.	Pipe Size (ins)	1	2	3	4	5
		Inlet Adapter Kit	Outlet Adapter Kit	Inlet/Outlet Flange and Hardware Kit	Connecting Hardware Kit	O-Ring Kit
2	1 1/4	296657-005	296658-005	296659-005	294986-002	296663-002
	1 1/2	296657-006	296658-006	296659-006		
	2	296657-007	296658-007	296659-007		



Content of Hardware Kits/Adapters

Part Name	Inlet Adapter Kit	Outlet Adapter Kit	Inlet/Outlet Flange and Hardware Kit	Connecting Hardware Kit	O-Ring Kit
Inlet Flange Adapter	1	-	1	-	-
Outlet Flange Adapter	-	1	1	-	-
Bolt	-	-	8	4	-
Lock Washer	-	-	8	4	-
Flat Washer	-	-	8	4	-
Nut	-	-	8	4	-
O-Ring	1	1	2	1	10
I & M Instructions	1	1	1	1	1

Approvals (for 8214 Series 200 only)

UL listed to standard 429 "Electrically Operated Valves," Guide Y10Z, File MP618 Safety Shutoff Valves.

FM Approved to Class 7400 "liquid and gas safety shutoff valves."

CSA Certified to:

- 1) Standard C22.2 No. 139 "Electrically Operated Valves," File 010381.
- 2) Automatic Gas Valves Z21.21 (6.5), C/I, File 112872.
- 3) Automatic Gas Safety Shutoff Valves (3.9), File 112872.

COMBUSTION

Specifications (English units)

Modular Double Valves		Pipe Size (ins.)	Orifice Size (ins.)	Cv Flow Factor (Double Valves)	Flow Capacity ⊕ ft ³ /hr	Gas Capacity ⊕ Btu/hr	Const. Ref.
Valve #1	Valve #2	COMBUSTION (Fuels Gas) - NORMALLY CLOSED					
8214 (200)	8214 (200)	1 1/4	2 3/32	25	1069	1,337,000	2
		1 1/2		32	1369	1,711,000	
		2		39	1668	2,085,000	

⊕ 1" W.C. Drop @ 2" W.C. Inlet Pressure, 1,000 Btu/cu.ft. or more, 0.64 Specific Gravity Gas.

Note: The flow values are calculated for joined double valve construction, please reference to 8214(200) catalog pages for discrete valve flows. Please reference to 8214(200) catalog pages for wide range of optional constructions.

Specifications (Metric units)

Modular Double Valves		Pipe Size (ins.)	Orifice Size (mm)	Kv Flow Factor (Double Valves)	Flow Capacity ⊕ (m ³ /hr)	Gas Capacity ⊕ Btu/hr	Const. Ref.
Valve #1	Valve #2	COMBUSTION (Fuels Gas) - NORMALLY CLOSED					
8214 (200)	8214 (200)	1 1/4	53	21	30	1,337,000	2
		1 1/2		27	39	1,711,000	
		2		33	47	2,085,000	

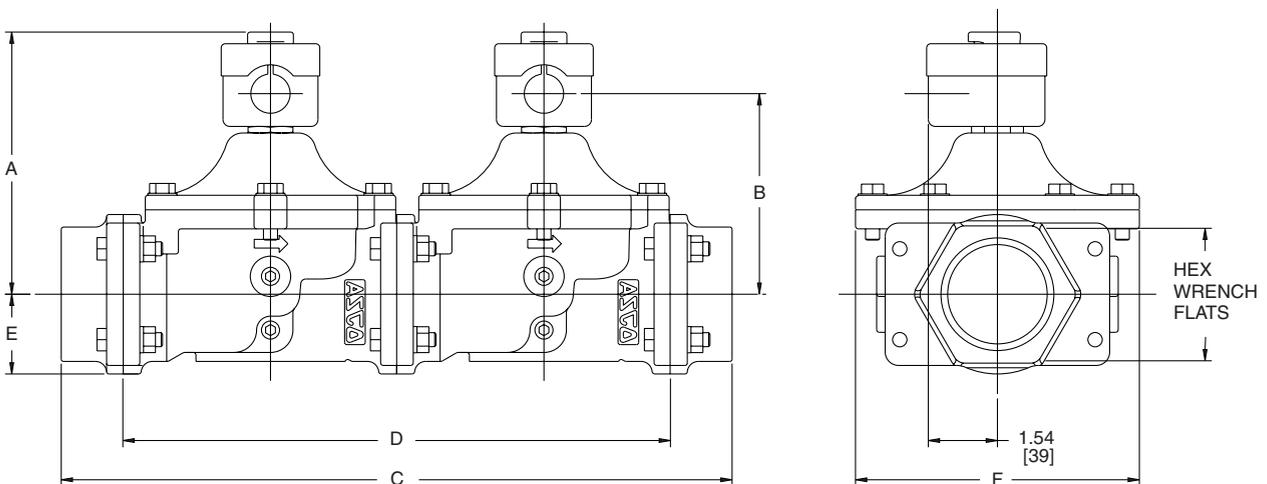
⊕ 1" W.C. Drop @ 2" W.C. Inlet Pressure, 1,000 Btu/cu.ft. or more, 0.64 Specific Gravity Gas.

Note: The flow values are calculated for joined double valve construction, please reference to 8214(200) catalog pages for discrete valve flows. Please reference to 8214(200) catalog pages for wide range of optional constructions.

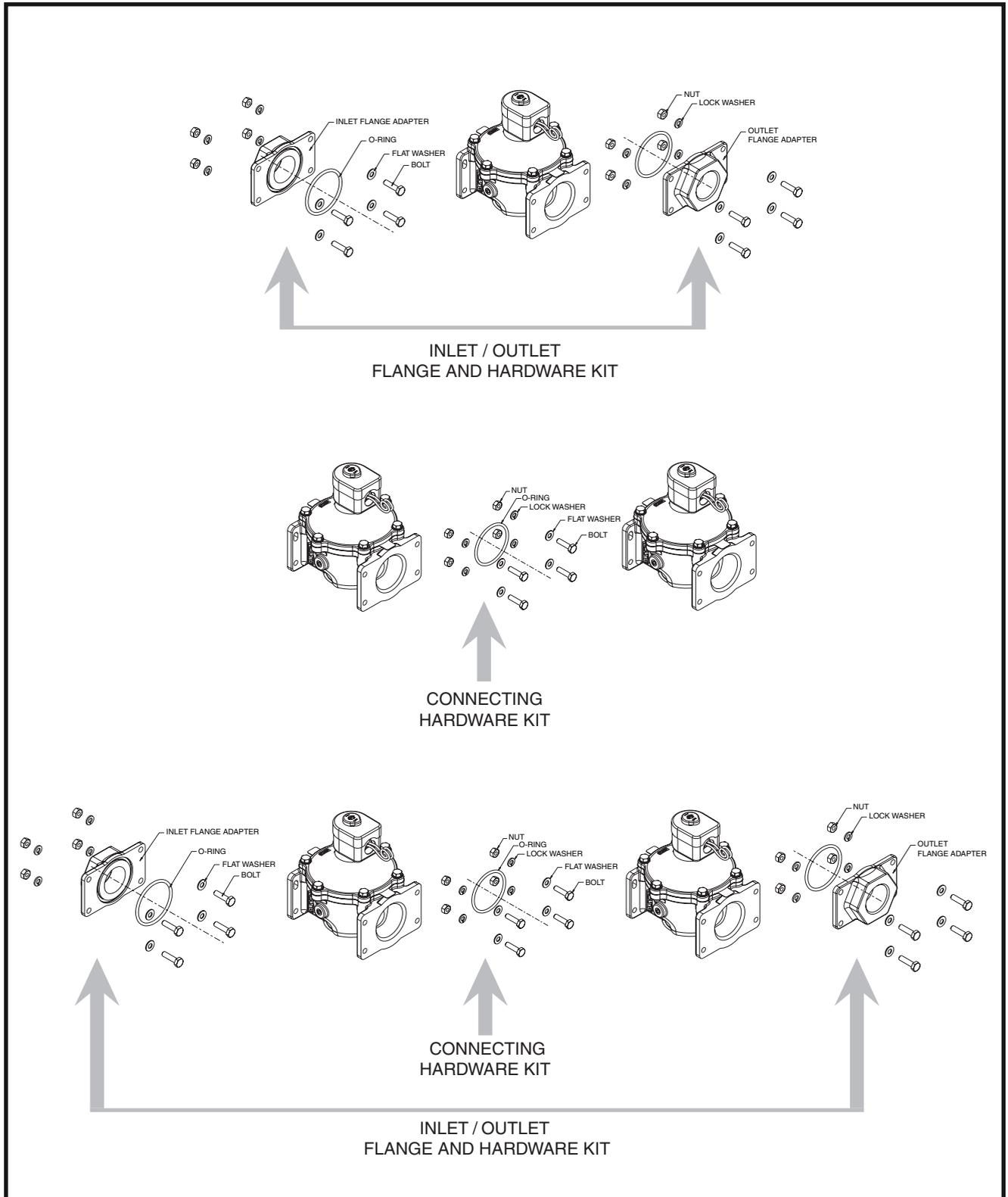
Dimensions inches (mm)

Const. Ref.	Valve Size (ins)		A	B	C	D	E	F	G	HEX
2	1 1/4	ins.	5.85	4.48	14.94	12.18	1.78	6.32	-	3.00
		mm	149	114	379	309	45	161	-	76
	1 1/2	ins.	5.85	4.48	14.94	12.18	1.78	6.32	-	3.00
		mm	149	114	379	309	45	161	-	76
	2	ins.	5.85	4.48	14.94	12.18	1.78	6.32	-	3.00
		mm	149	114	379	309	45	161	-	76

Const. Ref. 2



Adapter & Joining Hardware Kits (Optional)





Butler & Land Technologies

Butler & Land, Technologies is a manufacturer representative and distributor with extensive experience in the distribution and application of electrical equipment, instrumentation, controls and sensors to industrial and utility providers for over 70 years. Some of the industries we provide service to include, but are not limited to; food/beverage, water utilities, refineries, petrochemical plants, OEM's and electrical utilities.

www.butlerandland.com

Dallas, Texas

214-343-8800

10823 Sanden Dr, Dallas, TX 75238

Houston, Texas

713-896-0808

10900 Brittmoore Park Dr J, Houston, TX 77041