

Features

- NAMUR direct mount version of the rugged, dependable 8342 Series valves
- Direct acting, high flow slide-style valve
- No Minimum Operating Pressure Differential required to shift valve
- Available with single or dual solenoid operation
- Mechanical detent on dual solenoids holds last position, even after loss of electric power, pneumatics, or pressure

Construction

Valve Parts in Contact with Fluids		
Body	Brass	303 Stainless Steel
Seals and Discs	NBR and FKM	
Core Tube	305 Stainless Steel	
Core and Plugnut	430F Stainless Steel	
Springs	302 Stainless Steel	
Shading Coil	Copper	
Sleeve	PA	
Seats	PTFE	

Electrical

Standard Coil and Class of Insulation	Watt Rating and Power Consumption			Spare Coil Part Number	
	AC			General Purpose	Explosionproof
	Watts	VA Holding	VA Inrush	AC	AC
F	20.1	35	115	272610	272614
F	16.1	45	140	272610	272614

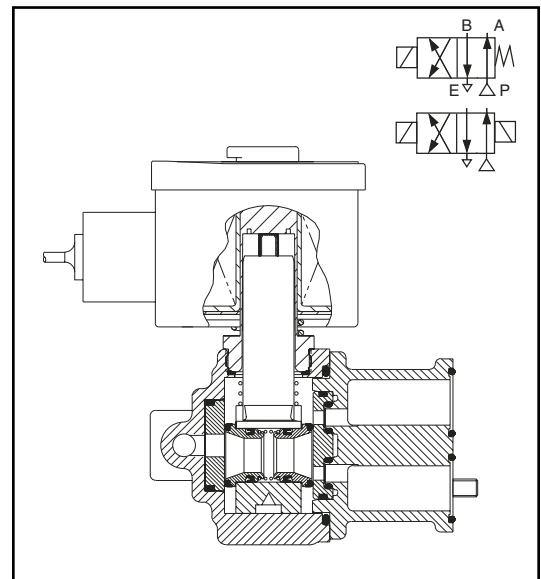
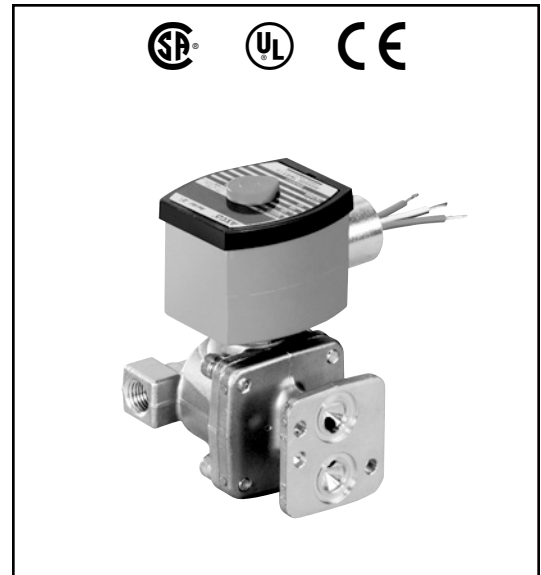
Standard Voltages: 24, 120, 240, 480 volts AC, 60 Hz (or 110, 220 volts AC, 50 Hz).
Must be specified when ordering. Other voltages, except combinations 120/60 and 110/50, are available when required.

Solenoid Enclosures

Standard: Watertight, Types 1, 2, 3, 3S, 4, and 4X.

Optional: Explosionproof and Watertight, Types 3, 3S, 4, 4X, 6, 6P, 7, and 9.
(To order, add prefix "EF" to catalog number.)

See *Optional Features Section* for other available options.



VALVE
AUTOMATION

Nominal Ambient Temp. Ranges

32°F to 125°F (0°C to 52°C)

Refer to *Engineering Section* for details.

Approvals

General Purpose Solenoid:

UL recognized component, CSA certified.

Explosionproof Solenoid: (EF Brass, EV S.S)

UL listed solenoid.

CSA certified for use in hazardous Locations.

Meets applicable CE directives.

Refer to *Engineering Section* for details.

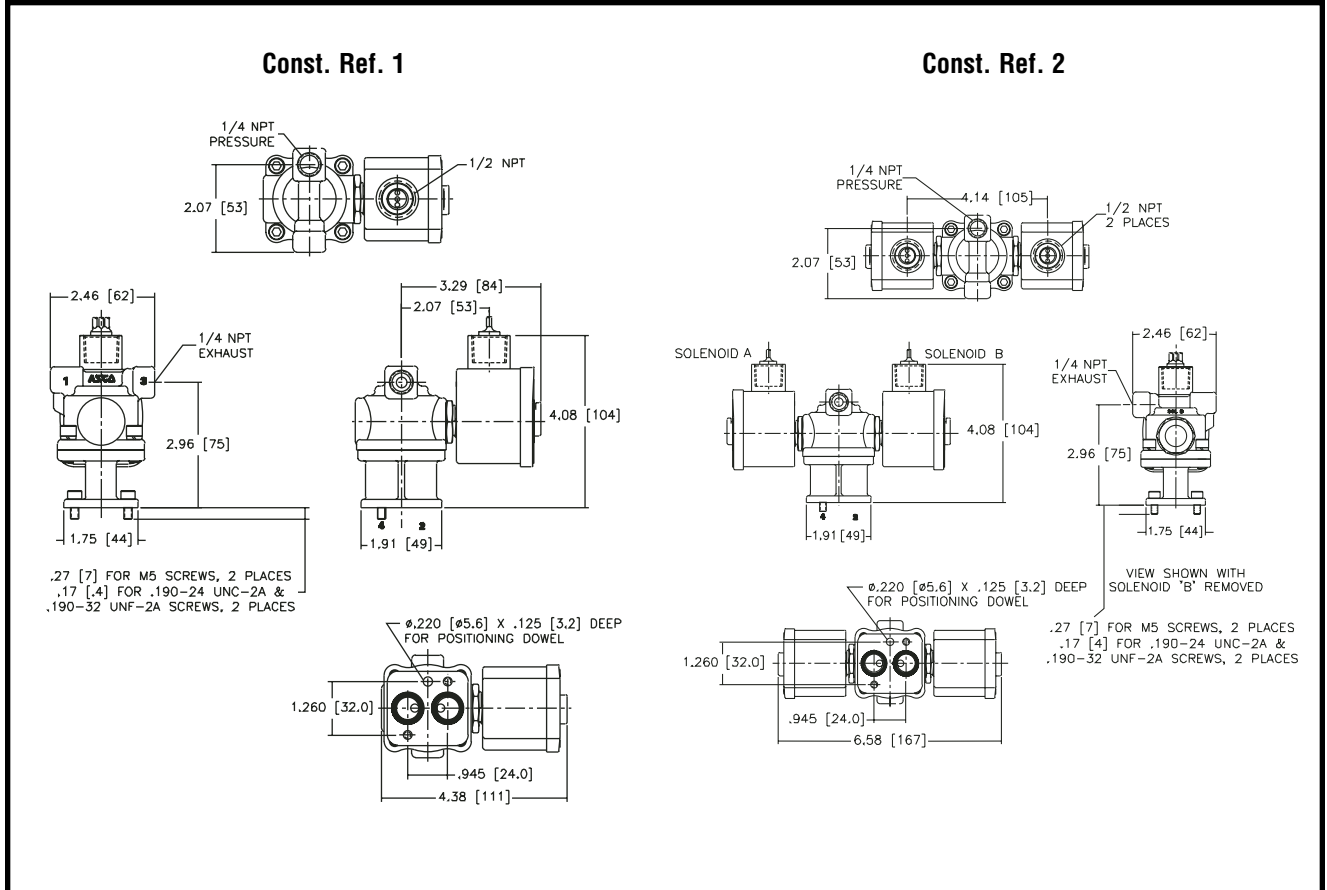
Specifications (English units)

Pipe Size (in)	Orifice Size (in)	Cv Flow Factor Ports 1-2	Cv Flow Factor Ports 2-3	Maximum Operating Pressure Differential (psi)	Maximum Fluid Temperature Range °F	Brass Body	Stainless Steel Body	Const. Ref.	Watt Rating/ Class of Coil Insulation
						Catalog Number	Catalog Number		AC
SINGLE SOLENOID									
1/4	3/16	.7	.5	125	160	8342G501	8342G511	1	20.1/F
DUAL SOLENOID									
1/4	3/16	.7	.5	125	160	8342G502	8342G512	2	16.1/F

Specifications (Metric units)

Pipe Size (in)	Orifice Size (mm)	Kv Flow Factor Ports 1-2 (m³/h)	Kv Flow Factor Ports 2-3 (m³/h)	Maximum Operating Pressure Differential (bar)	Maximum Fluid Temperature Range °C	Brass Body	Stainless Steel Body	Const. Ref.	Watt Rating/ Class of Coil Insulation
						Catalog Number	Catalog Number		AC
SINGLE SOLENOID									
1/4	5	.60	.43	9	71	8342G501	8342G511	1	20.1/F
DUAL SOLENOID									
1/4	5	.60	.43	9	71	8342G502	8342G512	2	16.1/F

Dimensions inches (mm)



VALVE
AUTOMATION



Butler & Land Technologies

Butler & Land, Technologies is a manufacturer representative and distributor with extensive experience in the distribution and application of electrical equipment, instrumentation, controls and sensors to industrial and utility providers for over 70 years. Some of the industries we provide service to include, but are not limited to; food/beverage, water utilities, refineries, petrochemical plants, OEM's and electrical utilities.

www.butlerandland.com

Dallas, Texas

214-343-8800

10823 Sanden Dr, Dallas, TX 75238

Houston, Texas

713-896-0808

10900 Brittmoore Park Dr J, Houston, TX 77041